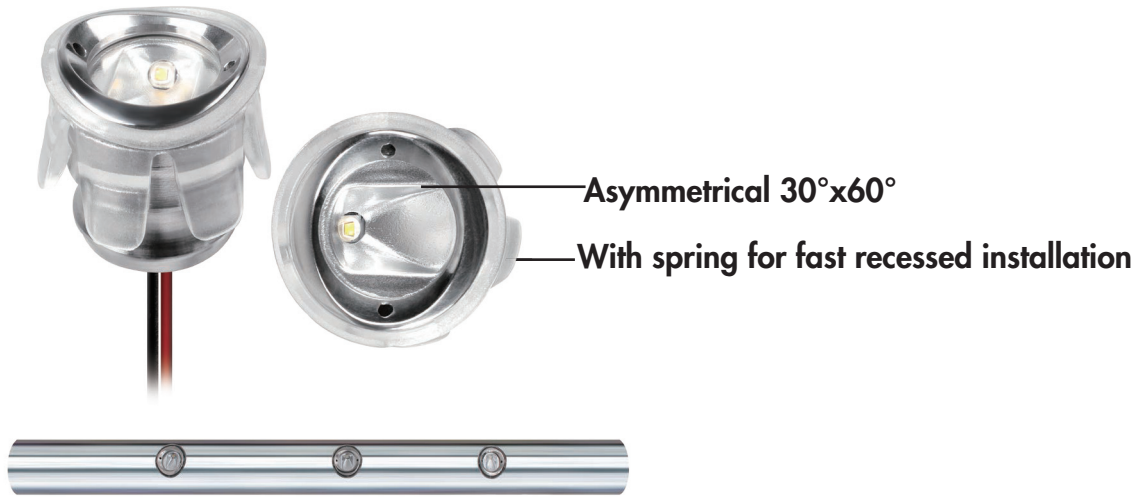


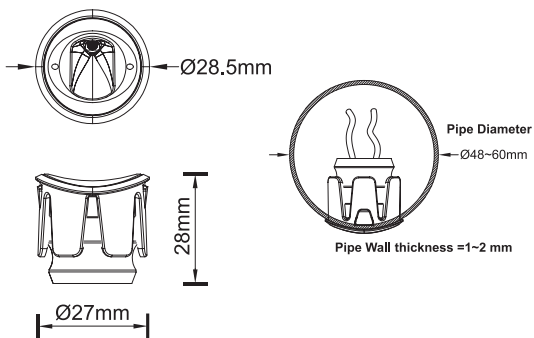
# Handrail Light



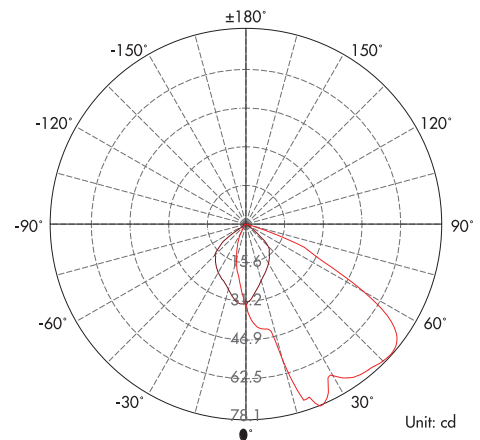
It's suitable for the tube with diameter 48-60mm, and tube wall thickness 1-2mm.



Dimension .....



Light Distribution Curve (3000K, 30°x60°) .....



**IP67 IK06**

**3 Years Warranty**

Parameter .....

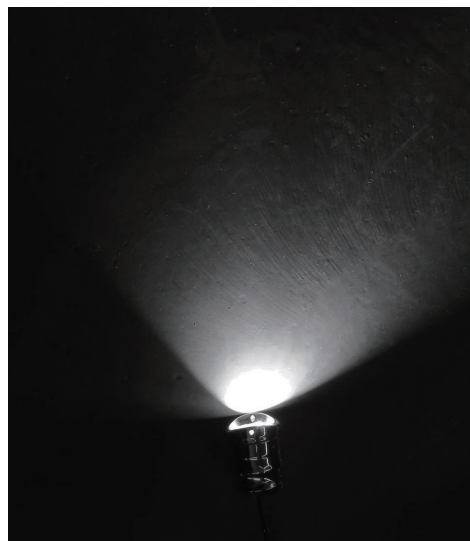
General Data	
Item No.	SS316: DL-1014-0100A / Alu: DL-1014-0100B
Power	1.5 watts +10%
LED type	1 PC 1W CREE XPE LED
Luminous flux	76~95 lm
CCT	2700K, 3000K, 4000K, 5000K, 6000K
CRI	80+
Beam angle	30°x60° (Tilt x Pan)
Dimension	28.5 x 28 (mm) Diameter x Height
Cut out	27
Net weight	0.048kgs
Warranty	3 years
Certifications	CE, RoHS
Electrical Data	
Input voltage	DC12V / DC24V
Insulation class	Class III
Cable	1PC teflon cable 0.25M 2*0.3mm square
Driver	low voltage constant current output, excluding the transformer
Construction Data	
IP rating	IP67 Waterproof
IK rating	IK06
Housing	Stainless steel 316 for A version / Aluminium for B version
Protection finishing	Stainless steel 316 for A version / Silver color Anodizing Aluminium for B version
Trim	Stainless steel 316 for A version / Silver color Anodizing Aluminium for B version
Glass	/
Loading capacity	110 kgs
Cable Gland	/
Gasket	O-ring PMQ silicone seal
Accessories	
Spring	PC spring for recessed installation
Clip	SS304 clip for taking off the fixture from the handrail
Packaging	
Inner box size	60*60*40 mm
Carton size	32.5*26*22 cm (100PCS / carton)

Lux distance Curve (3000K, 30°x60°) .....

3.281ft	3.003fc	2.117fc	3.726ft
1.0m	32.32lx	22.790lx	1.136m
6.562ft	0.751fc	0.529fc	7.453ft
2.0m	8.080lx	5.698lx	2.272m
9.843ft	0.334fc	0.235fc	11.179ft
3.0m	3.591lx	2.532lx	3.407m
13.123ft	0.188fc	0.132fc	14.906ft
4.0m	2.020lx	1.424lx	4.543m
16.404ft	0.120fc	0.085fc	18.632ft
5.0m	1.293lx	0.912lx	5.679m

Height Center E Beam Angle: 59.2 Average E Diameter

Illumination Picture (30°x60°) .....



Features .....

- .Used for outdoor and indoor handrail in multiple places
- .Beautiful Anti-corrosion stainless steel 316 body or Anodized Aluminium body as options
- .Suitable for standard handrail with  $\Phi 48\sim 60$ mm, and wall thickness of 1~2mm for a  $\Phi 27$  mm hole
- .It can be easily and fast retrofitted into existing handrail
- .With PC spring for fast recessed installation
- .With asymmetrical reflector for anti-glare beam 30°x60°(Tilt x Pan)
- .With SS304 clip for fast taking off the fixture from the handrail
- .CREE XPE LED with LM80 approval.
- .CRI80+
- .DC12V version for PWM, DALI, 0-10V dimmable
- .3 years warranty.
- .Waterproof IP67 for outdoor and indoor application
- .Professional sales and technicians to serve you.

Installation Drawing .....

