

Deep series

Deep 3W
Anti-glare index UGR<3

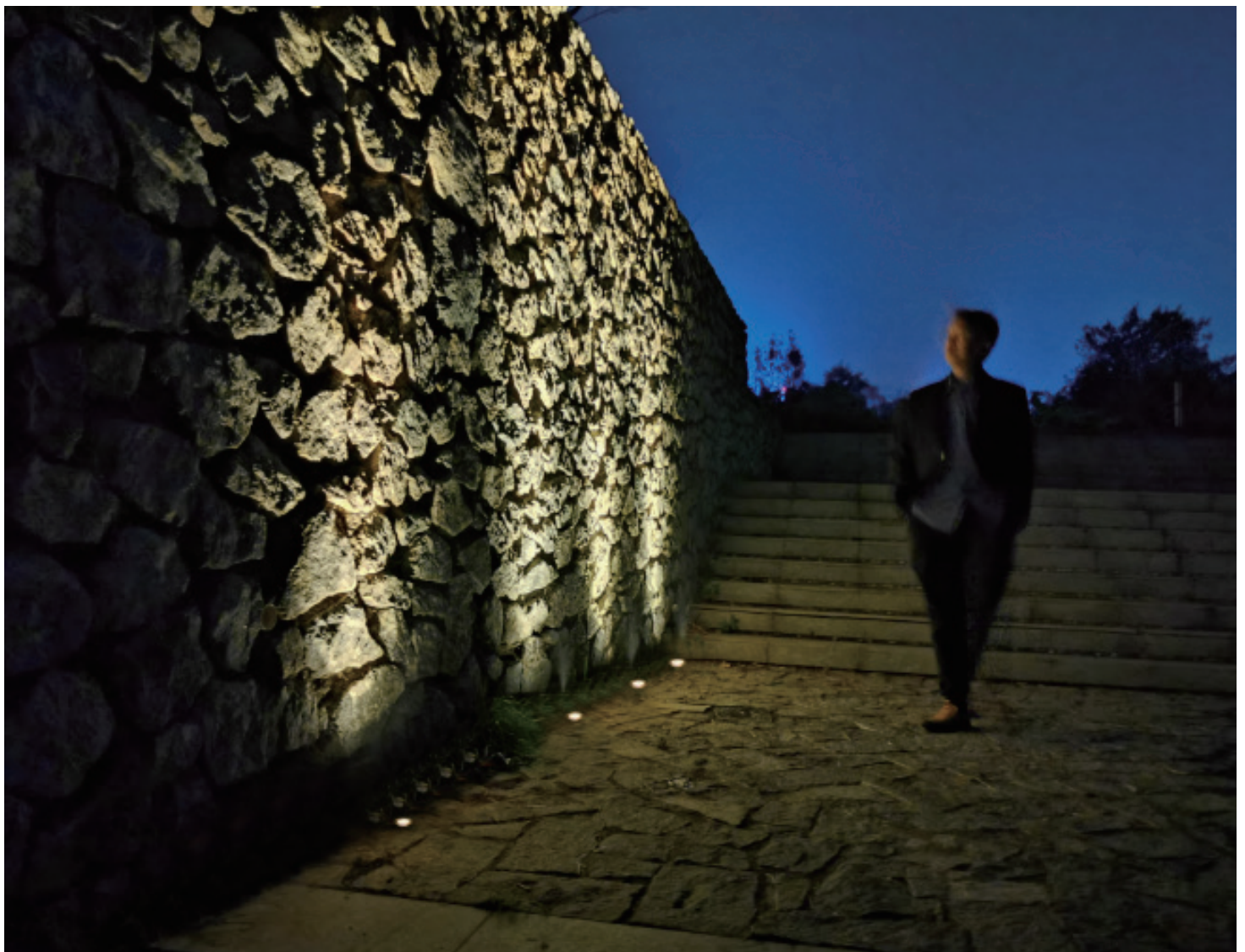


Deep 5W
Anti-glare index UGR<6



ing sleeve A

Anti-glare low UGR design with super visual comfort



Deep 3W



Anti-glare UGR<3



light up the plants near the path

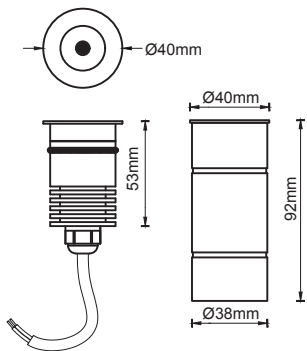


light up the wall near the path
light up places where anti-glare is necessary

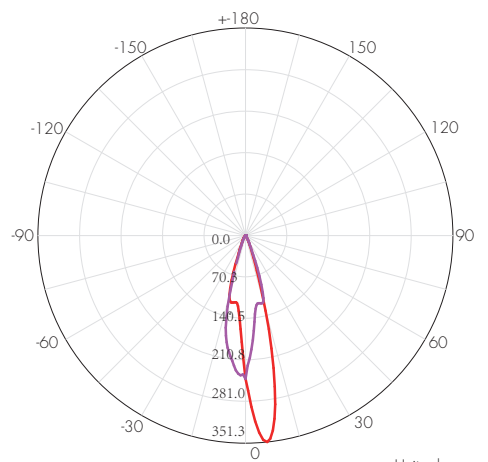


light up the potted plants

Dimension



Light Distribution Curve (3000K,35°)





IP67 IK06

SSS 316

3 Years Warranty

Unit:cd

Parameter

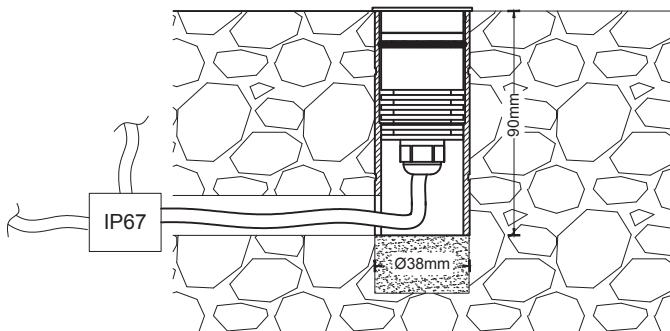
General Data	
Item No.	UL-1026-0300-A
Power	3W +10%
LED type	1 PC 3W OSRAM 3030 LED
Luminous flux	60 lm +10%
CCT	2700K, 3000K, 4000K, 6000K
CRI	80+
Beam angle	35°
Dimension	Φ40x53 (mm) Diameter x length
Cut out	Φ38mm
Net weight	0.35 kgs
Warranty	3 years
Certifications	CE, RoHS
Electrical Data	
Input voltage	DC 12V-DC24V
Insulation class	Class III
Cable	1PC rubber cable 1M HO5RN-F 2x1mm square
Driver	low voltage constant voltage input , constant current output for LED

Construction Data	
IP rating	IP67 Waterproof
IK rating	IK06
Housing	Passivated(Anodizing) Aluminum
Protection finishing	20~25µm thickness anodized film for housing. Dark grey
Trim	Stainless steel 316
Glass	Step tempered Glass, T=4mm.
Loading capacity	300 kgs
Cable Gland	PG gland
Gasket	PMQ silicone seal
Accessories	
Mounting Sleeve	Passivated (Anodizing) Aluminum. Dark grey
Packaging	
Inner box size	110*85*60 mm
Carton size	44*24*32 cm (50 PCS/carton)

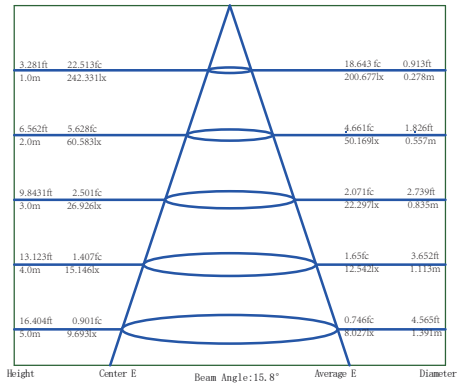
Features

- Anti-glare optics design with UGR<3 ,super visual comfort !
- Excellent design of heat-conducting housing ensure long life time of LED
- Aluminum housing CNC machined
- 20~25µm thickness of anti-corrosion protective passivated film for housing.
- Waterproof IP67.
- OSRAM 3030 LED with LM80 approval.
- 3 years warranty.
- Structure silicone seal+ glue seal for IP67.
- Professional sales and technicians to serve you.

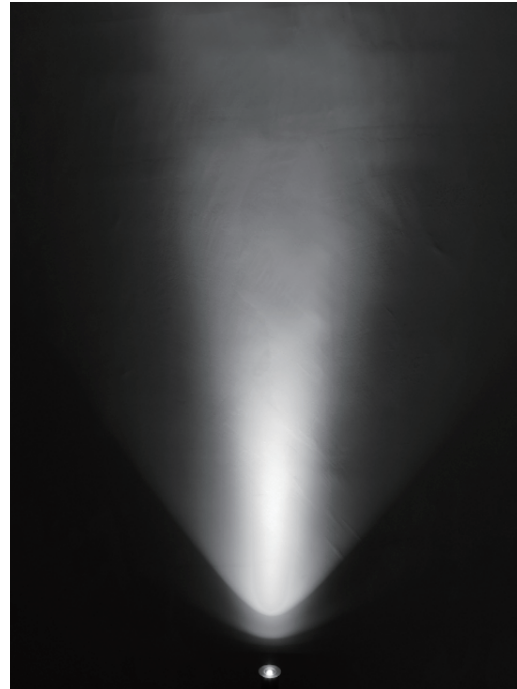
Installation Drawing



Lux distance Curve (3000K,35°)



Illumination Picture (35°)



Deep 5W



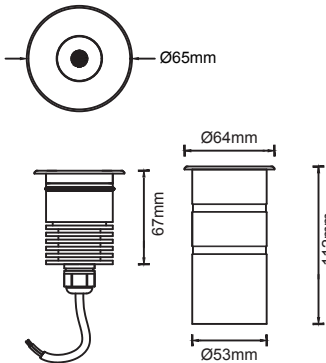
Anti-glare UGR<6



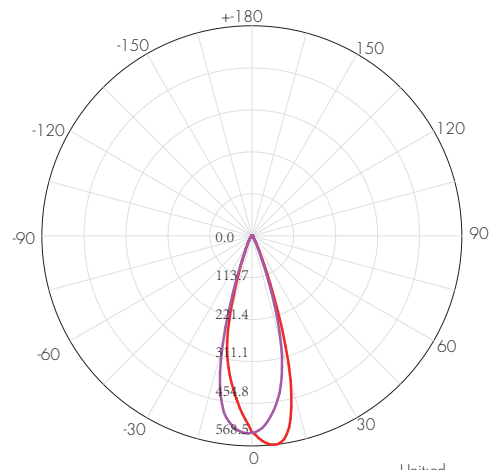
Pathway or gate post where anti-glare luminaires are required.

light up the plants

Dimension



Light Distribution Curve (3000K,35°)





IP67 IK06

SSS 316

3 Years Warranty

Unit:cd

Parameter

General Data

Item No.	UL-1026-0500-A
Power	4.5W +10%
LED type	1 PC CREE XPG LED
Luminous flux	150 lm +10%
CCT	2700K, 3000K, 4000K, 6000K
CRI	80+
Beam angle	35°
Dimension	Ø65x67 (mm) Diameter x length
Cut out	Ø53mm
Net weight	0.45 kgs
Warranty	3 years
Certifications	CE, RoHS

Electrical Data

Input voltage	DC 12V-DC24V
Insulation class	Class III
Cable	1PC rubber cable 1M HO5RN-F 2x1mm square
Driver	low voltage constant voltage input , constant current output for LED

Construction Data

IP rating	IP67 Waterproof
IK rating	IK06
Housing	Passivated(Anodizing) Aluminum
Protection finishing	20~25µm thickness anodized film for housing. Dark grey
Trim	Stainless steel 316
Glass	Step tempered Glass, T=6mm.
Loading capacity	300 kgs
Cable Gland	PG gland
Gasket	PMQ silicone seal

Accessories

Mounting Sleeve	Passivated (Anodizing) Aluminum. Dark grey
-----------------	--

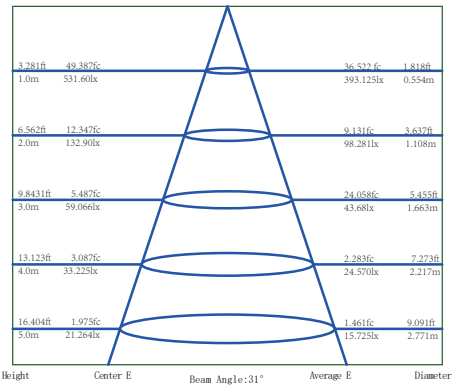
Packaging

Inner box size	130*115*80 mm
Carton size	36.5*28*26 cm (18 PCS / carton)

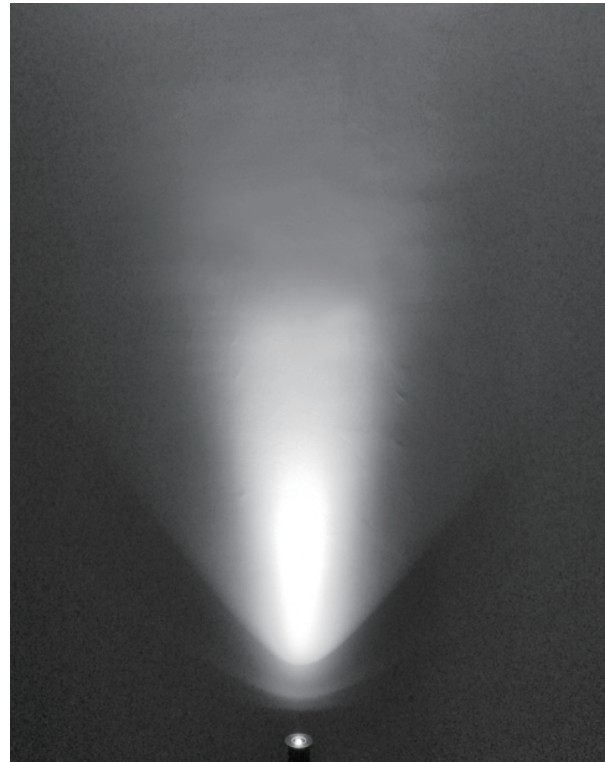
Features

- Anti-glare optics design with UGR<6, super visual comfort !
- Excellent design of heat-conducting housing ensure long life time of LED
- Aluminum housing CNC machined
- 20~25µm thickness of anti-corrosion protective passivated film for housing.
- Waterproof IP67.
- CREE XPG LED with LM80 approval.
- 3 years warranty.
- Structure silicone seal+ glue seal for IP67.
- Professional sales and technicians to serve you.

Lux distance Curve (3000K,35°)



Illumination Picture (35°)



Installation Drawing

